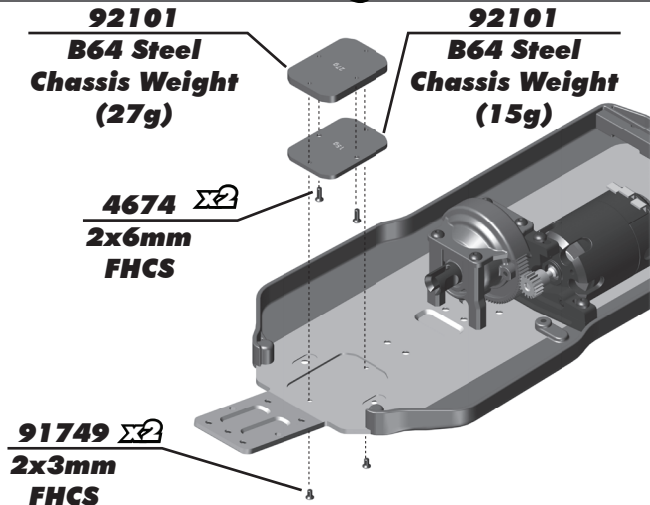


#92101 B64 Steel Chassis Weights

:: B64 Steel Chassis Weights Installation



Stacking Weights:

- Countersink of 15G plate faces down against the top of the chassis surface.
- Use #4674 screw [x2] to secure the plates together.
- Use #91749 screw [x2] to mount the assembly into the front pocket of the B64 chassis.